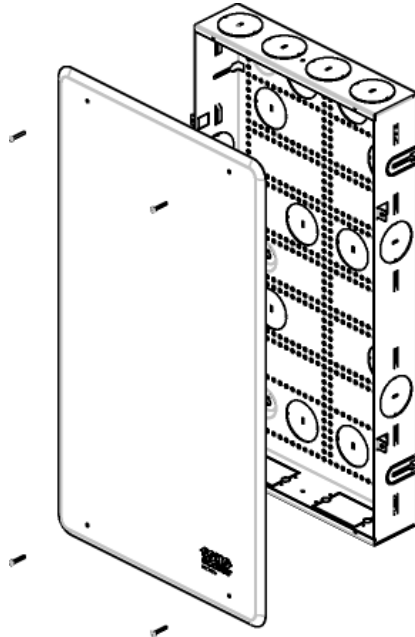


# SAE Cover Installation

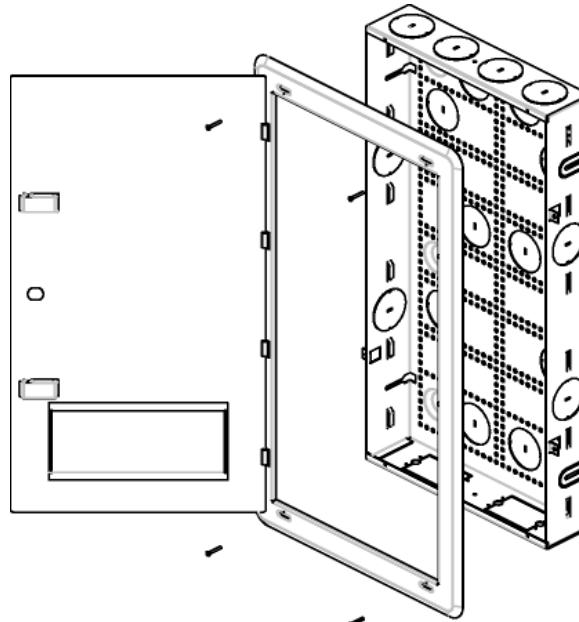
## **SAPC-XX** **SAE Panel Covers**

Attach cover or door assembly to the SAE using the screws provided with the cover. Use the security head screws to limit access. SAE-SHSD security screwdrivers are sold separately. If you are installing the cover without someone's assistance, insert nails into the top screw holes on the cover. Guide the nails into the screw holes of the SAE holding the cover in place while you insert the bottom two screws.



## **SADC-XX** **SAE Door Covers**

Attach cover or door assembly to the SAE using the screws provided with the cover. If you are installing the cover without someone's assistance, insert nails into the top screw holes on the cover. Guide the nails into the screw holes of the SAE holding the cover in place while you insert the bottom two screws.



## **SASC-XX** **SAE Stylized Door Covers**

Insert the top two cover screws into the SAE base leaving approx. 1/2" of the screw protruding (screws provided with cover). If the enclosure is flush mounted hang the beauty ring on the two mounting screws, then hang the door and frame assembly. Tighten the top two cover screws, then insert and tighten the two remaining cover screws.

