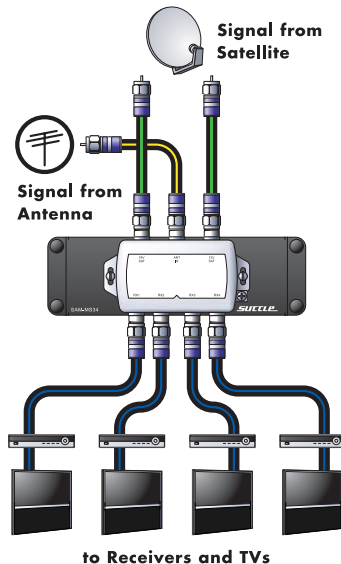




SAM-MS34

3x4 Satellite Multi-switch,
DirectTV® approved



Features

- 2LNB + 1AUX inputs to 4 outputs for 4 satellite receivers
- Matrix routes between any inputs to any outputs
- Terrestrial Antenna signal can be combined and conveyed by a single coaxial cable
- Inputs selected by 13V/18V from satellite RXs
- Built in I.F amplification circuit compensates insertion loss
- 500mA power passing from RX to LNB

Product Description

Distribute satellite and off-air antenna signal (or other input) to up to four receivers with this DirectTV® approved satellite multi-switch. It provides 2 LNB and 1 ANT/auxiliary inputs to 4 outputs. Just take the two feeds from the satellite and connect them to the correct inputs on the multi-switch. Then connect the signal from the off-air antenna or other input device. Lastly, run the 4 outputs to the four receivers located throughout the home.

Specifications

Insertion Loss:

LNB-Input to RX Output	40~860MHz	40dB typ.
	950~2050MHz	2dB typ.
	2050~2150MHz	3dB typ.
ANT Input to RX Output	40~860MHz	40dB typ.
	950~2150MHz	30dB typ.

Isolation:

LNB I/P to O/Ps	40~860MHz	30dB typ.
	950~2050MHz	20dB typ.
RX to RX	40-2150MHz	20dB typ.

Power Passing:

RX O/P to LNB I/P port	500mA max.
RX O/P to ANT I/P	none

Route Selection Chart:

LNB A to any RX port	13~14Vdc
LNB B to any RX port	17~18Vdc

Normal Power Consumption ----- 70mA

Connectors ----- F81 Female

Input/Output Impedance ----- 75 Ohm

Housing ----- Zinc alloy diecast, nickel plated. Full RF Shielded.

Additional Components ----- Includes three 75 Ohm terminators